

THIN-WALL HIGH SPEED SERIES 海雄薄壁高速机系列



NINGBO BEILUN HIGHSUN MACHINERY CO., LTD.

Add: No.36 Yongjiang Road, Beilun District, Ningbo, China

Tel: +86-574-86870777; +86-574-86961055

E-mail: haixiong@highsun-machinery.com

Website: www.highsun-machinery.com

Ningbo Beilun Highsun Machinery Co.Ltd.

HIGHSUN HIGHSUN MACHINERY

宁波海雄塑料机械有限公司
NINGBO BEILUN HIGHSUN MACHINERY CO.,LTD.

C 公司简介 COMPANY PROFILE



缔造中国一流的高性能注塑机制造商!

TO BE THE NATIONAL TOP MANUFACTURER
OF HIGH-PERFORMANCE PLASTIC INJECTION MOLDING MACHINES!

3

综合实力前三强制造商

Honored with "Top 3" manufacturer of comprehensive strength by NBPMA over the past decade.

50⁺

销往全球50多个国家

Sold to more than 50 countries around the world.

50⁺

50年创建历史

Established in 1973. Concentrate on Injection Molding field more than 50 years.

7000⁺

年产量7000多台

Annual output more than 7000 sets, ensuring faster delivery time.

1200000⁺

占地面积12万平方米

It covers an area of 1200000 square feet.

130,000,000⁺

全球销量1.3亿美元

Worldwide sales reached 130 million US dollars, exports maintain steady growth.

Ningbo Highsun Plastic Machinery Co., Ltd. is located in the "capital of plastics machinery" - Beilun Science & Technology park of Ningbo, China. The factory covers an area of more than 1200000 square feet, specializing in the production of HIGHSUN brand high-grade injection molding machines. We take "Customer-Centric" as the core value goal, undertaking "Pursuing Excellence, Molding Perfection" as operation philosophy. Concentrate on creating China's leading manufacturer of high-performance injection molding machine as strategic target.

With almost 20 years of rapid development and more than 50 years of accumulation and precipitation of the parent company, HIGHSUN Machinery has been awarded the TOP 3 professional manufacturer for plastic injection molding machine in Ningbo, and one of the TOP 10 manufacturers for plastic molding machine in China. We have been dedicating in the refined production process management and zero defects target manufacture. Over the years, we have been researching and developing complete series (Electricity and Oil Hybrid series, Two-platen series, High-speed series, unmixed double colors series, mixed double colors series, BMC series, PET series, PVC series, etc.) with range from 98T to 3000T of clamping force. Furthermore, we always accept and supply with customized solutions.



海雄薄壁高速机系列是在多年实验、研究的基础上专门针对成型周期短、高速注射成型的制品潜心打造的。在运动特性、机器精度、使用寿命等方面表现卓越。

广泛应用于包装类塑料制品、医疗类塑料制品、3C电子产品的生产。

HIGHSUN thin-wall high speed IMM series is based on years of experiment and researching, specifically for the short molding cycle, high speed injection molding requirement products. Outstanding performance in the aspects of motion characteristics, machine precision, service life and so on. Widely used in packaging, medical and 3C electronic products.



经过优化设计的曲肘连杆合模机构，具有平稳的运动曲线和更高的强度设计，使机构高速运动时动作平稳，并且有更长的使用寿命。

The optimized design for the crankshaft and connect rod of clamping structure has a smooth motion curve and higher strength, which makes the mechanism move smoothly at high speed and has a longer service life.



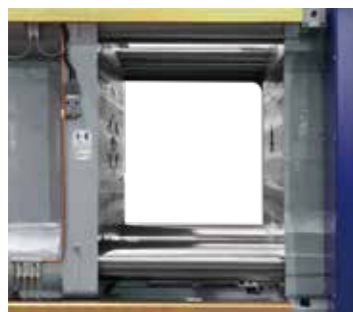
料筒采用红外线加热保温装置。该装置为红外线辐射加热方式，具有加热快、高效、节能、使用寿命长等优点。

The barrel adopts infrared heaters. Using infrared radiation heating method, the heater has quick heating, high efficiency, energy saving, and long service life and other advantages.



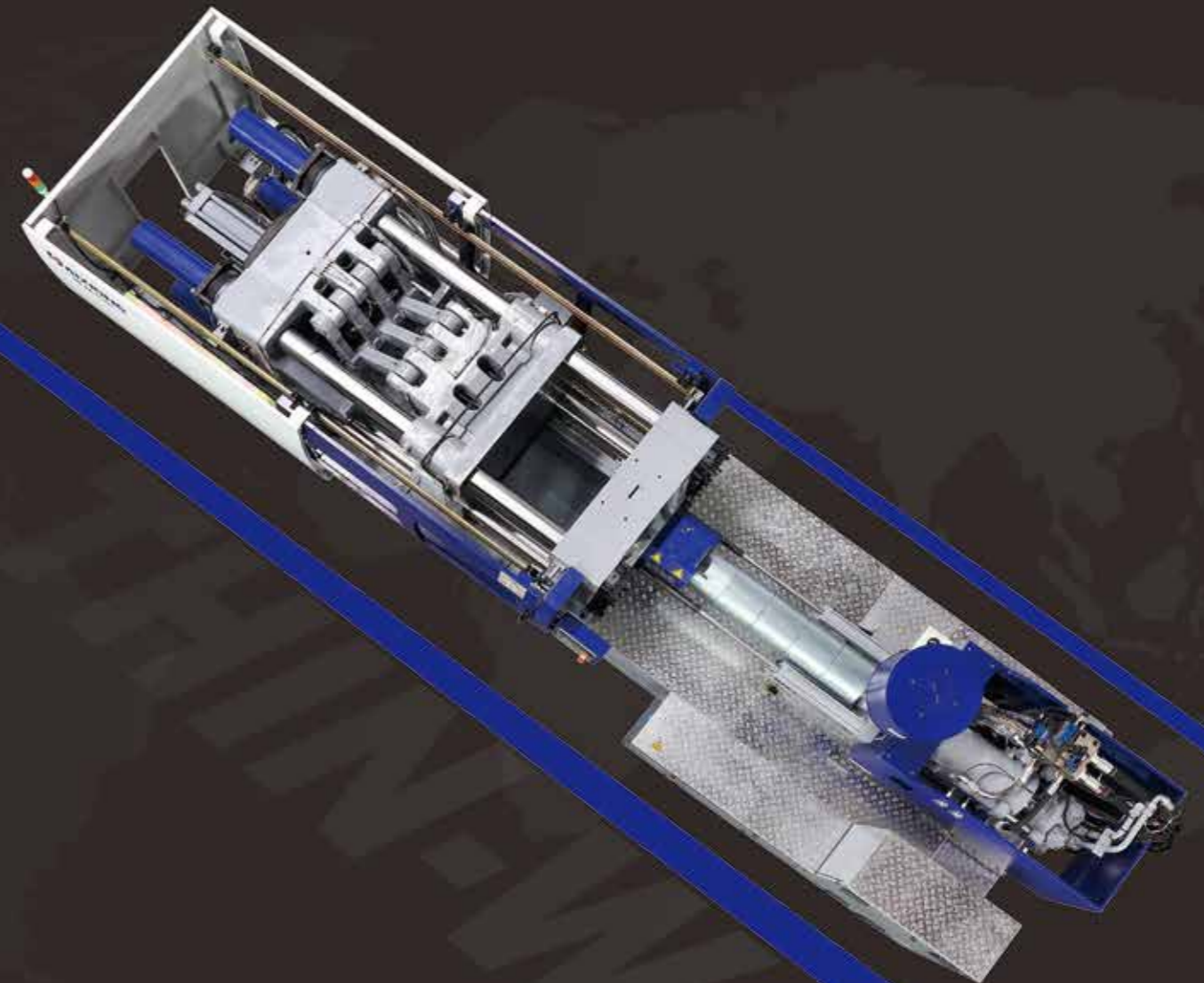
动模板位置测量采用磁致伸缩位移传感器。为无接触式测量，传送数字信号，测量数据精准可靠，重复精度高，全面提升动模板的位置精度。

The position measurement of moving platen adopts the magnetostrictive transducer realize non-contact measurement, which can transmit the digital signal and make the measuring data accurate and reliable, fully improve the position precision.



拉杆间距大，可容纳更大尺寸的模具，为大尺寸的模具安装提供方便。斜楔式动板滑脚结构，加大支撑面积，支撑点前移，在装载模具时，可有效保持机器的模板平行度。

The space between tie-bars is large, which more facilitate the installation of large-sized molds. The bevel wedge type sliding feet structure of movable platen increases the supporting area, and moves the supporting point forward, which can effectively maintain the parallelism of the platen when loading the mold.



THIN-WALL HIGH SPEED SERIES 海雄薄壁高速机系列

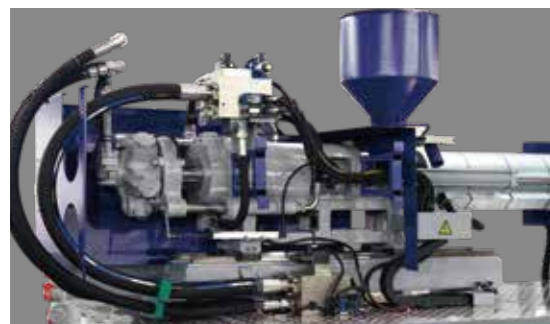
Product Advantages

产品优势



合理的模板惯量，降低了生产能耗，高响应的单缸高速注射结构，使制品的重量更轻、更易于控制。

Reasonable platen inertia decrease energy consumption of production, and the high-response of the single-cylinder high-speed injection structure makes the product lighter and easier to control.



专用的单缸注射结构，大幅减少高速注射时的回油油量，降低了注射时的回油压力，从而提高了机器注射时的加速度。

The dedicated single-cylinder injection structure drastically reduces the volume and pressure of the return oil, thereby improving the injection acceleration.



液压系统采用双伺服驱动控制，具有高效节能、低噪音的优点，可实现开模、储料同步功能。

The hydraulic system adopts double servo drive control. It has the advantages of high efficiency, energy saving and low noise. Meanwhile, it can realize mold-open and charge synchronization function.



- ▶ 电脑控制系统采用 CANbus EtherCAT等总线通讯，实现全数字化控制。
- ▶ 温控采用专用控制模块，精确度为1度。
- ▶ 具有电力监测功能，可监测当前生产的能耗状况。

- With CANbus EtherCAT bus communication, the computer system is fully digital controlled.
- The temperature control adopts special control module. The accuracy can achieve 1 degree.
- With the power monitoring function, it can monitor the current energy consumption during the production.



润滑油再生技术的应用，在满足机器润滑需求的同时，降低了机器润滑油的使用量。

The reutilization techniques of lubrication oil not only satisfy the demand of lubricating, but also reduce the usage of lubrication oil.



开关模动作采用比例方向阀控制，具有动作加速迅速、高速运行平稳、开模位置控制精准的特点。

Controlled by the proportional direction valve, the movement can accelerate quickly. During the high speed running, it can operate steadily and precisely control the mold open position.

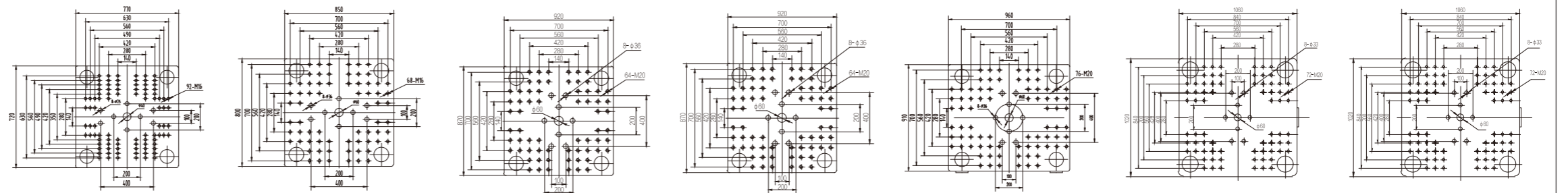


曲肘连杆处及导杆处采用石墨钢套，配合稀油润滑，具有更好的承载性和耐磨性，使机器具有更长的使用寿命。

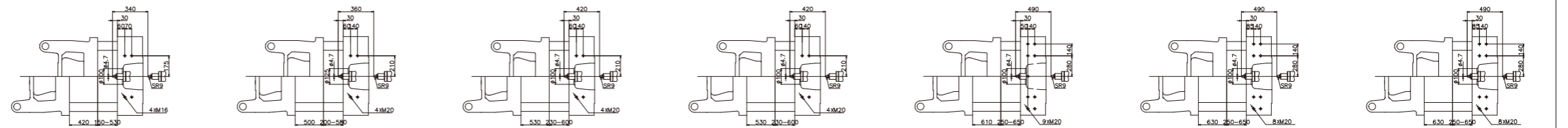
In using the graphite steel bushes as well as thin oil lubrication, the crankshaft connecting rod and guide bars have better bearing capacity and abrasive resistance, which extend the service life of the machine.

产品规格	SPECIFICATIONS	UNIT	HXH160		HXH200		HXH 260		HXH280		HXH300		HXH350		HXH388		
			A	B	A	B	A	B	A	B	A	B	A	B	A	B	
INJECTION UNIT 注射单元	螺杆直径	Screw diameter	mm	40	45	45	50	50	55	50	55	50	55	55	60	55	60
	螺杆长径比	Screw L/D ratio	L/D	22	20	24	22	24	22	24	22	24	21.8	24	22	24	22
	理论注射容积	Injection capacity in theory	cm ³	232	294	341	422	422	510	422	510	481	582	582	692	582	692
	注射重量	Injection weight(ps)	g	211	268	311	384	384	464	384	464	538	530	529	630	529	630
	注射压力	Injection pressure	MPa	237	187	199	161	161	133	161	133	176	145	171	144	171	144
	注射速度	Injection velocity	mm/s	220		260		320		400		380		380		480	
	塑化能力	Plasticizing capacity	g/s	28	40	46	57	57	80	57	80	50	70	80	97	80	97
	螺杆转速	Screw speed	rpm	400		400		400		400		350		400		400	
CLAMPING UNIT 合模单元	合模力	Clamping force	kN	1600		2000		2600		2800		3000		3500		3880	
	移动模板行程	Moving mould-plate stroke	mm	420		500		530		530		610		630		630	
	最大模厚	Max.Mould height	mm	530		580		600		600		650		650		650	
	最小模厚	Min.Mould height	mm	150		200		230		230		250		250		250	
	拉杆有效间距	Space between tie-bars	mm	520 × 470		570 × 520		610 × 560		610 × 560		630 × 580		700 × 650		700 × 650	
	液压顶出力	Hydraulic ejector force	kN	76		80		80		80		80		125		125	
	液压顶出行程	Hydraulic ejector stroke	mm	130		150		150		150		110		100		100	
	顶出点数	Ejector number	n	5		9		9		9		9		9		9	
OTHER 其他	油泵压力	Pump pressure	MPa	17.5		17.5		17.5		17.5		19		19		19	
	驱动功率	Motor/Driving power	kW	37		45		30+30		37+37		37+37		45+45		45+45	
	加热功率	Heating capacity	kW	13.55		16.8		17.8		17.8		17.8		20.3		20.3	
	外形尺寸	Machine dimension	m	5.37 × 1.50 × 1.80		6.34 × 1.56 × 1.93		6.49 × 1.80 × 2.11		6.49 × 1.80 × 2.11		6.49 × 1.69 × 2.11		6.98 × 1.81 × 2.04		6.98 × 1.81 × 2.04	
	机器重量	Machine wight	t	7.0		8.7		10		10		12		13.5		14	
	油箱容积	Oil tank capacity	L	230		350		420		420		420		600		600	

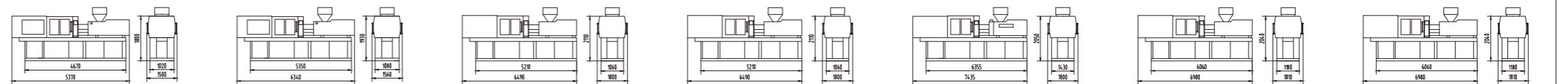
模板正面尺寸
Platen Dimensions(frontal)



模板侧面尺寸
Platen Dimensions(flank)



外型尺寸
Machine Dimensions



HXH160

HXH200

HXH260

HXH280

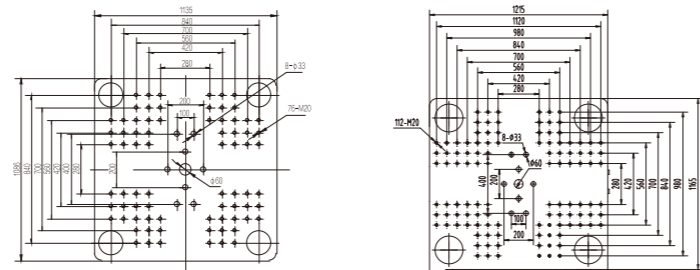
HXH300

HXH350

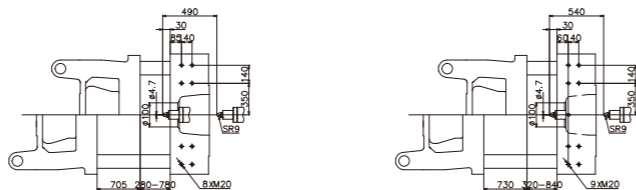
HXH388

产品规格	SPECIFICATIONS	UNIT	HXH450		HXH500	
			A	B	A	B
INJECTION UNIT 注射单元	螺杆直径	Screw diameter	55	60	55	60
	螺杆长径比	Screw L/D ratio	24	22	24	22
	理论注射容积	Injection capacity in theory	582	692	582	692
	注射重量	Injection weight(ps)	529	630	529	630
	注射压力	Injection pressure	171	144	171	144
	注射速度	Injection velocity	600		600	
	塑化能力	Plasticizing capacity	80	97	97	110
	螺杆转速	Screw speed	400		400	
CLAMPING UNIT 合模单元	合模力	Clamping force	4500		5000	
	移动模板行程	Moving mould-plate stroke	705		730	
	最大模厚	Max.Mould height	780		840	
	最小模厚	Min.Mould height	280		320	
	拉杆有效间距	Space between tie-bars	750 × 700		780 × 730	
	液压顶出力	Hydraulic ejector force	181		181	
	液压顶出行程	Hydraulic ejector stroke	100		160	
OTHER 其他	顶出点数	Ejector number	9		9	
	油泵压力	Pump pressure	19		19	
	驱动功率	Motor/Driving power	55+55		55+55	
	加热功率	Heating capacity	20.3		20.3	
	外形尺寸	Machine dimension	7.67 × 1.92 × 2.16		7.80 × 2.02 × 2.25	
	油箱容积	Oil tank capacity	600		750	

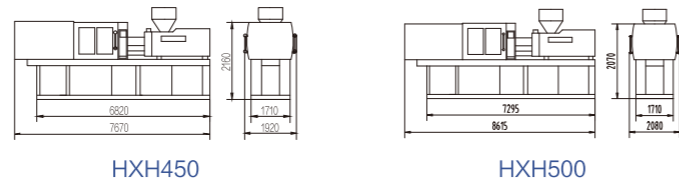
模板正面尺寸
Platen Dimensions(frontal)



模板侧面尺寸
Platen Dimensions(flank)



外型尺寸
Machine Dimensions



Product Application

产品应用

薄壁餐盒系列

Thin-wall snack-box series



- ◆ 名称：圆形、方形快餐盒体
- ◆ 原料：PP
- ◆ 重量：16.8g
- ◆ 模具：一出四
- ◆ 使用机型：HXH350
- ◆ 成型周期：5.2s

Name: Circular Snack-Box、Square Snack-Box Body
Material: PP
Weight: 16.8g
Mold: Four Cavities
Machine Model: HXH350
Molding Cycle: 5.2s



- ◆ 名称：圆形、方形快餐盒盖
- ◆ 原料：PP
- ◆ 重量：7.2g
- ◆ 模具：一出八
- ◆ 使用机型：HXH450
- ◆ 成型周期：5.8s

Name: Circular Snack-Box、Square Snack-Box Cover
Material: PP
Weight: 7.2g
Mold: Eight Cavities
Machine Model: HXH450
Molding Cycle: 5.8s

薄壁奶茶杯、异形餐盒系列

Thin-wall milky-tea cup、atypical snack-box series



- ◆ 名称：奶茶杯700ml
- ◆ 原料：PP
- ◆ 重量：21g
- ◆ 模具：一出六
- ◆ 使用机型：HXH350
- ◆ 成型周期：8s

Name: Milky-Tea Cup 700ml
Material: PP
Weight: 21g
Mold: Six Cavities
Machine Model: HXH350
Molding Cycle: 8s



- ◆ 名称：异形餐盒
- ◆ 原料：PP
- ◆ 主打产品：多格、非标类
- ◆ 使用机型：HXH260、HXH350
- ◆ 成型周期：5.2s

Name: Atypical Snack-Box
Material: PP
Major Products, Multiple Squares、Non Standard Snack-Box
Machine Model: HXH260、HXH350
Molding Cycle: 5.2s



包装系列
Packaging Series



餐具系列
Tableware Series



奶茶杯
Milky-Tea Cup